

# UXL330-2FR



## Valve Regulated Lead Acid Battery

### Features

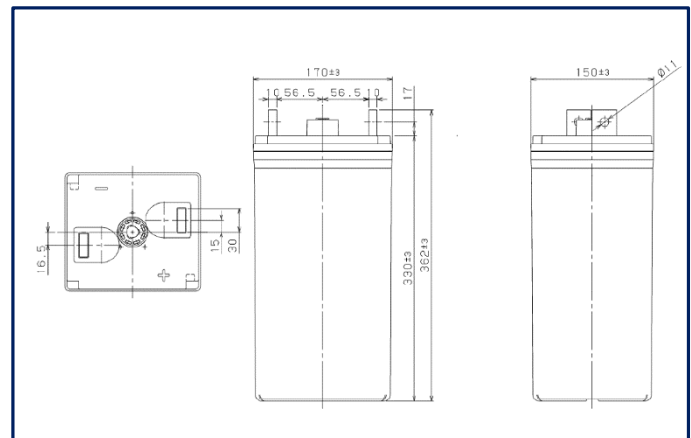
- ❑ AGM Non-Spillable type
- ❑ Flame retardant container (UL94 V-0)
- ❑ Maintenance Free (No water topping required)
- ❑ Valve regulated
- ❑ Fitted with Explosion proof Filter
- ❑ No equalizing charge required
- ❑ Excellent high rate discharge performance
- ❑ Low self-discharge
- ❑ Easy handling
- ❑ Compact in size
- ❑ Conform to UN2800 special provision A67 in IATA Dangerous Goods Regulation and NOT to subject to IATA Dangerous Goods Regulations



### General Specification

Nominal Voltage (V)	2
Capacity (Ah/10HR)	300
Dimension (mm)	Length 170 +/- 3 Width 150 +/- 3 Case Height 330 +/- 3 (Overall Height 362 +/- 3)
Terminal	L-shaped Terminal (φ11)
Approx. Weight (kgs)	21.6
Container	Flame Retardant ABS (UL94 V-0)
Design Life at 20°C	15 Years in Float Use
Maximum Continuous Discharge current	900A for 3 minutes
Float Charging Voltage	2.23V/cell at 25°C

Maximum charging current	0.25CA
Operation Temperature	Charging : -15°C ~ 45°C Discharging : -15°C ~ 45°C Storage : -20°C ~ 50°C



### Discharge Performance at 25°C

F.V.	Unit	Discharge Time										
		1 min	5 min	10 min	15 min	30 min	1 h	2 h	3 h	5 h	8 h	10 h
1.80V	W	1080	972	830	712	529	347	211	157	104	71.9	59.1
	A	600	536	455	390	283	182	109	81.1	53.6	36.6	30.0
1.75V	W	1241	1073	904	773	546	360	218	159	107	73.0	59.7
	A	709	606	500	426	294	190	113	82.2	55.0	37.5	30.3
1.70V	W	1399	1162	945	822	564	370	225	163	109	74.8	60.3
	A	811	667	545	455	306	196	118	84.5	56.6	38.0	30.6
1.67V	W	1481	1201	1003	844	580	381	231	170	112	75.0	60.9
	A	882	698	571	469	316	200	120	86.5	57.1	38.5	30.9
1.65V	W	1553	1244	1019	861	590	381	231	170	114	76.5	61.6
	A	938	732	588	484	323	203	121	88.2	57.7	39.0	31.3



GS Battery Vietnam Co. Ltd is fully own by GS Yuasa Japan. GS Yuasa is the world's second largest battery company and a 100+ year old Japanese corporation.